



Barton Hill Settlement  
43 Ducie Road Barton Hill Bristol BS5 0AX  
Tel: 0117 377 3166  
email: [info@travellinglighttheatre.org.uk](mailto:info@travellinglighttheatre.org.uk)  
[www.travellinglighttheatre.org.uk](http://www.travellinglighttheatre.org.uk)

## Van Hire Details

The van can only be hired for charitable use.

These rates are only for use within the UK.

**Rates:** £50 + VAT per day or £300 + VAT per week.  
Minimum hire period of 10 consecutive days.

**Insurance:** Drivers must be aged between 21 and 79 inclusive and holding a full, clean, UK driving licence for over 12 months, to be covered by our comprehensive insurance and national recovery breakdown cover (at no extra cost).

The hirer must notify Travelling Light if any of their drivers have current convictions for any motoring offence (except parking) and if any of their drivers have been involved in any motoring accidents within the last five years. They must also notify Travelling Light if any of their drivers have medical conditions that may impair driving ability. We will need to notify our insurance company of any of these facts before the hire commences, to ensure that all drivers are covered by our insurance. Failure to inform Travelling Light of any of the above facts could result in our insurance being void. In this case, the hirer would be responsible for covering all costs resulting from any incidents or accidents which take place during their hire.

The hirer accepts full liability for any damage incurred to the van during the hire period, and will be responsible for paying any excess charges: £150 general excess and £60 windscreen excess. Additional costs for cleaning and administration may also be incurred.

## VAN SPECIFICATION

**General:** 313CDI Long Wheel Base Mercedes Sprinter

Registration: WR11 NSY

Length: 6.68m          Width: 1.93m          Height: 2.72m

Fuel: Diesel

Manual gears (6 speeds)

Alarm and reverse bleeper fitted

**Cab area:** Seats 6 including the driver. This number must not be exceeded.

Coat hooks on bulkhead

Individual light above passenger seats

CD player

**Cargo area:** Separate cargo compartment: 3.00m long x 1.70m wide x 1.80m high (ceiling tapers in slightly and boxed off wheel arches reduce width to 1.24m in centre).

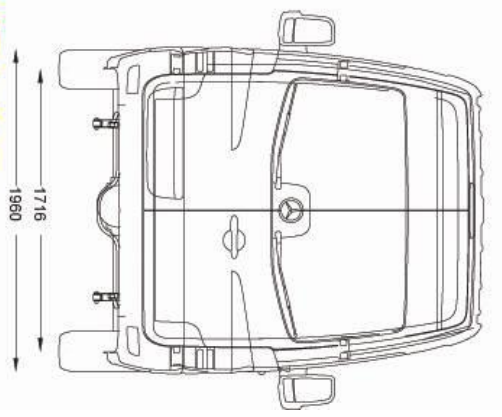
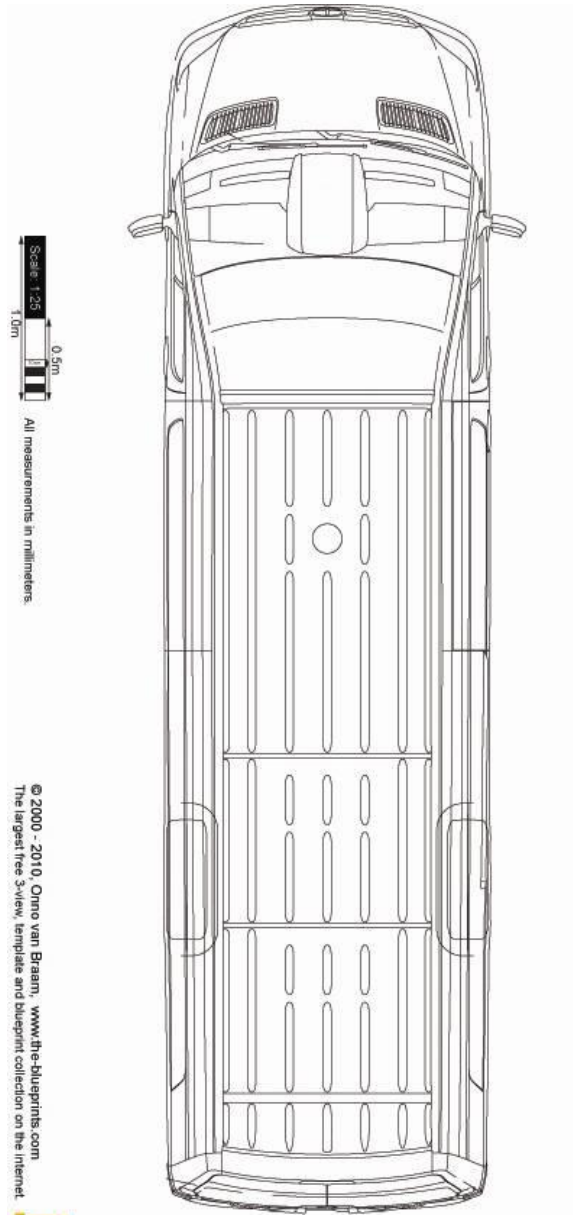
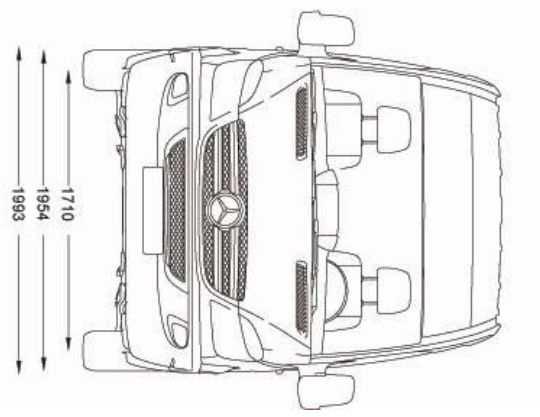
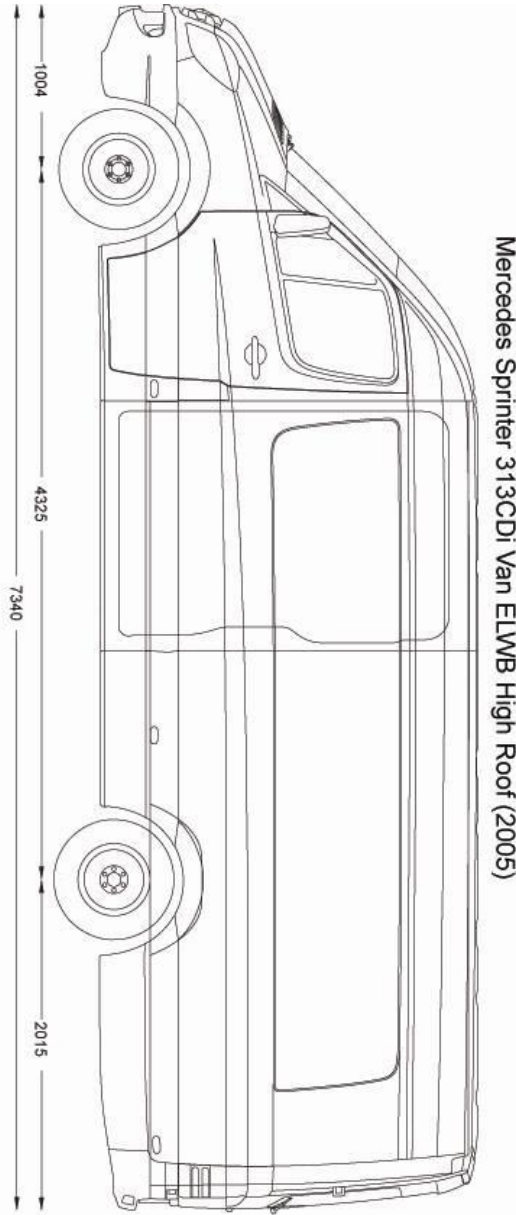
Removable rails for hanging lights/costumes or for securing cargo

Interior and Exterior lights



# Image from Van Log with Dimensions

Mercedes Sprinter 313CDi Van ELWB High Roof (2005)



© 2000 - 2010, Onno van Braam, [www.the-blueprints.com](http://www.the-blueprints.com)  
The largest free 3-view, template and blueprint collection on the internet.

